

 **BOEING**
COMPONENT
MAINTENANCE MANUAL

TO: ALL HOLDERS OF ELT TEST PANEL ASSEMBLY, M1184, COMPONENT MAINTENANCE MANUAL
23-24-03

REVISION NO. 2 DATED NOV 01/01

HIGHLIGHTS

Pages which have been added or revised are outlined below together with the highlights of the revision. Remove and insert the affected pages as listed and enter Revision No. and date to the Record of Revision Sheet.

CHAPTER/SECTION

AND PAGE NO.

1006

DESCRIPTION OF CHANGE

Added illustration Figure 1.

23-24-03

HIGHLIGHTS

01.1

Page 1

Nov 01/01



ELT TEST PANEL ASSEMBLY, M1184

PART NUMBER 233T4247-1

COMPONENT MAINTENANCE MANUAL
WITH
ILLUSTRATED PARTS LIST

23-24-03

TITLE PAGE

Page 1

Mar 01/01

01

L76502



REVISION RECORD

- Retain this record in front of manual. On receipt of revision, insert revised pages in the manual, and enter revision number, date inserted and initial.

REVISION NUMBER	REVISION DATE	DATE FILED	BY	REVISION NUMBER	REVISION DATE	DATE FILED	BY

23-24-03

REVISION RECORD

01

Page 1

Mar 01/01

TEMPORARY REVISION AND SERVICE BULLETIN RECORD

BOEING SERVICE BULLETIN	BOEING TEMPORARY REVISION	OTHER DIRECTIVE	DATE OF INCORPORATION INTO MANUAL

23-24-03

TR & SB RECORD

01

Page 1

Mar 01/01


BOEING
 COMPONENT
 MAINTENANCE MANUAL

PAGE	DATE	CODE	PAGE	DATE	CODE
23-24-03			ILLUSTRATED PARTS LIST 1008	BLANK	CONT.
TITLE PAGE					
1	MAR 01/01	01			
2	BLANK				
REVISION RECORD					
1	MAR 01/01	01			
2	BLANK				
TR & SB RECORD					
1	MAR 01/01	01			
2	BLANK				
LIST OF EFFECTIVE PAGES					
*1	NOV 01/01	01			
THRU LAST PAGE					
CONTENTS					
1	MAR 01/01	01			
2	BLANK				
INTRODUCTION					
1	MAR 01/01	01			
2	BLANK				
DESCRIPTION & OPERATION					
1	MAR 01/01	01			
2	BLANK				
TESTING & TROUBLE SHOOTING					
101	MAR 01/01	01			
102	MAR 01/01	01			
ILLUSTRATED PARTS LIST					
1001	MAR 01/01	01			
1002	MAR 01/01	01			
1003	JUL 01/01	01.1			
1004	JUL 01/01	01.1			
1005	JUL 01/01	01.1			
*1006	NOV 01/01	01.1			
1007	JUL 01/01	01.1			

* = REVISED, ADDED OR DELETED

23-24-03

EFFECTIVE PAGES
 LAST PAGE Page 1
 01 Nov 01/01



TABLE OF CONTENTS

<u>Paragraph Title</u>	<u>Page</u>
Description and Operation	1
Testing and Trouble Shooting.	101
Disassembly*[1]
Cleaning.*[1]
Check*[1]
Repair.*[1]
Assembly.*[1]
Fits and Clearances (not applicable)	
Special Tools*[2]
Illustrated Parts List.	1001

*[1] Use applicable procedures in S0PM 20-11-04 and standard industry practices.
 *[2] Special instructions not required.



INTRODUCTION

The instructions in this manual provide the information necessary to perform maintenance functions including test, fault isolation, and replacement of defective components.

This manual is divided into separate sections:

- | | |
|--|------------------------------|
| 1. Title Page | 4. List of Effective Pages |
| 2. Record of Revisions | 5. Table of Contents |
| 3. Temporary Revision &
Service Bulletin Record | 6. Introduction |
| | 7. Procedures & IPL Sections |

Refer to the Table of Contents for the page location of applicable sections.

An explanation of the use of the Illustrated Parts List is provided in the Introduction to that section.

All weights and measurements used in the manual are in English units, unless otherwise stated. When metric equivalents are given they will be in parentheses following the English units.

Design changes, optional parts, configuration differences and Service Bulletin modifications create alternate part numbers. These are identified in the Illustrated Parts List (IPL) by adding an alphabetical character to the basic item number. The resulting item number is called an alpha-variant. Throughout the manual, IPL basic item number references also apply to alpha-variants unless otherwise indicated.

Verification:

Testing/TS

23-24-03

INTRODUCTION

01

Page 1

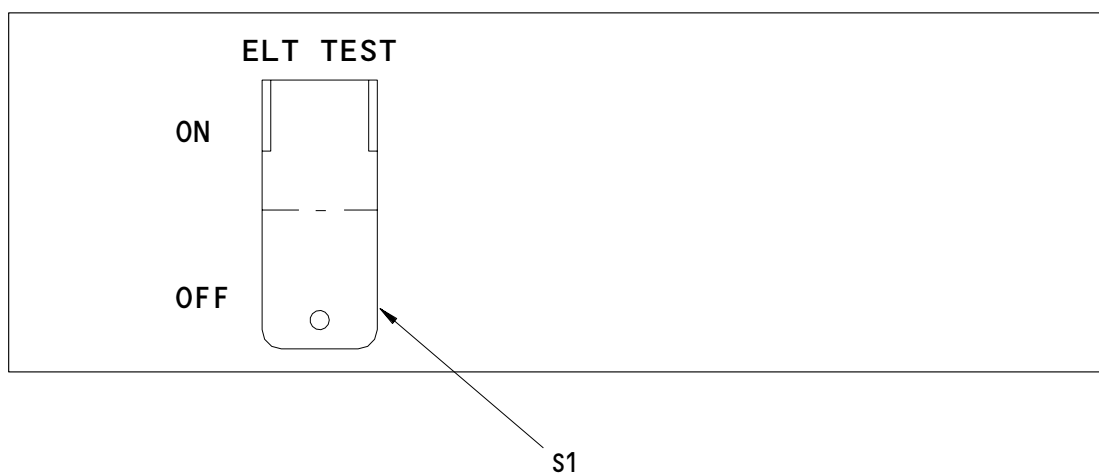
Mar 01/01

ELT TEST PANEL ASSEMBLY M1184DESCRIPTION AND OPERATION1. Description

- A. The ELT Test Panel Assembly M1184 contains a switch, a connector and a wire bundle. See Fig. 1 for component location.

2. Operation

- A. The ELT Test Panel Assembly M1184 provides an interface for testing the ELT module.



233T4247-1
ELT Test Panel Assembly, M1184 Component Location
Figure 1

TESTING AND TROUBLE SHOOTING

 1. Test Equipment

- A. Multimeter: Simpson 260 or equivalent
- B. Test Connectors: Boeing Test Breakout Box A33003-2 may be used along with test cables listed below:

TEST CONNECTOR
A33003 TEST CABLE

BACC45FT12-12S9 (connects with J1) A33003-12

 2. Functional Test

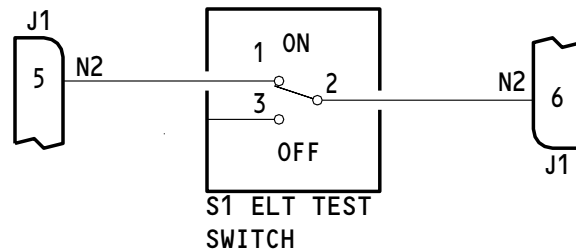
- A. Connect Test Connectors to Panel Assembly.
- B. Do test steps as given in Fig. 101. See Fig. 102 for Wiring Diagram.
- C. Remove Test Connectors from Panel Assembly.

NOTE: CON means less than 3 OHMS
 OPEN means more than 900 KOHMS

TEST STEP	PROCEDURE	EXPECTED RESULT	COMPONENT TESTED
1	Set S1 to OFF and measure between: J1-5 to J1-6	OPEN	S1, Wiring
2	Set S1 to ON and measure between: J1-5 to J1-6	CON	S1, Wiring

233N4247-1 Functional Test
 Table 101

23-24-03



NOTE: ALL WIRES ARE BMS 13-48 TYPE I,
CLASS 1, AWG 22 UNLESS SHOWN
DIFFERENTLY.

233T4247-1
ELT Test Panel Assembly, M1184 Schematic Diagram
Figure 101

23-24-03

TESTING & TROUBLE SHOOTING
01 Page 102
Mar 01/01

ILLUSTRATED PARTS LIST

1. This section lists and illustrates replaceable or repairable component parts. The Illustrated Parts Catalog contains a complete explanation of the Boeing part numbering system.

2. Indentures show parts relationships as follows:

Assembly

Detail Parts for Assembly

Subassembly

Attaching Parts for Subassembly

Detail Parts for Subassembly

Detail Installation Parts (Included only if installation parts may be returned to shop as part of assembly)

3. One use code letter (A, B, C, etc.) is assigned in the EFF CODE column for each variation of top assembly. All listed parts are used on all top assemblies except when limitations are shown by use code letter opposite individual part entries.

4. Letter suffixes (alpha-variants) are added to item numbers for optional parts, Service Bulletin modification parts, configuration differences (Except left- and right-hand parts), product improvement parts, and parts added between two sequential item numbers. The alpha-variant is not shown on illustrations when appearance and location of all variants of the part is the same.

5. Service Bulletin modifications are shown by the notations PRE SB XXXX and POST SB XXXX.

A. When a new top assembly part number is assigned by Service Bulletin, the notations appear at the top assembly level only. The configuration differences at detail part level are then shown by use code letter.

B. When the top assembly part number is not changed by the Service Bulletin, the notations appear at the detail part level.

6. Parts Interchangeability

Optional
(OPT)

The parts are optional to and interchangeable with other parts having the same item number.

Supersedes, Superseded By
(SUPSDS, SUPSD BY)

The part supersedes and is not interchangeable with the original part.

Replaces, Replaced By
(REPLS, REPLD BY)

The part replaces and is interchangeable with, or is an alternate to, the original part.

23-24-03

ILLUSTRATED PARTS LIST

01

Page 1001

Mar 01/01

7. The MOD level codes in the nomenclature column, such as MOD A and MOD B, identify interchangeable top assemblies which have the same part number but which have differences at the subassembly or component levels. The IPL identifies each MOD level of a top assembly with a different item number and use code. The nameplate label identifies the MOD level of each assembly in the MOD LEVEL block.
8. Use substitute parts only as specified in the document D906-10182, Electrical/Electronic/Electromechanical and Mechanical Parts Substitution.

23-24-03ILLUSTRATED PARTS LIST
01 Page 1002
Mar 01/01


BOEING
 COMPONENT
 MAINTENANCE MANUAL
VENDORS

00779 TYCO ELECTRONICS CORP
 2800 FULLING MILL ROAD PO BOX 3608
 MIDDLETOWN, PENNSYLVANIA 17057
 FORMERLY AMP INC

08524 DEUTSCH FASTENER CORP SEE CODE V97928

15653 FAIRCHILD FASTENERS KAYNAR PRODUCTS DIV
 800 S STATE COLLEGE BLVD
 FULLERTON, CALIFORNIA 92831-3001
 FORMERLY VK6405 MICRODOT AEROSP LTD; FORMERLY KAYNAR TECH
 KAYNAR DIV

28277 DEXTER-WILSON CORP
 4133 STONE WAY NORTH
 SEATTLE, WASHINGTON 98103-8013
 FORMERLY H K WILSON V0137B
 FORMERLY DEXTER CORP

60119 MONADNOCK CO THE
 18301 ARENTH AVENUE PO BOX 1222
 CITY OF INDUSTRY, CALIFORNIA 91749
 FORMERLY UNITED CARR FASTENER CORP VB0051 VB0056 VB0076
 FORMERLY TRW ELECTRONIC COMPONENTS CINCH-MONADNOCK DIV
 FORMERLY CINCH-MONADNOCK DIV OF TRW INC V76530

72962 HARVARD INDUSTRIES INC
 3 WERNER WAY SUITE 210
 LEBANON, NEW JERSEY 08833
 FORMERLY AMERACE CORP ESNA DIV
 FORMERLY ELASTIC STOP NUT IN UNION, NJ

23-24-03
 ILLUSTRATED PARTS LIST
 01.1 Page 1003
 Jul 01/01

REFERENCE DESIGNATOR INDEX (SEE SCHEMATIC DIAGRAM)		
REFERENCE DESIGNATOR	PART NUMBER	FIG-ITEM
J1 M1184 S1	BACC45FN12-12P9 233T4247-1 MS24523-23	1-45 1A 10

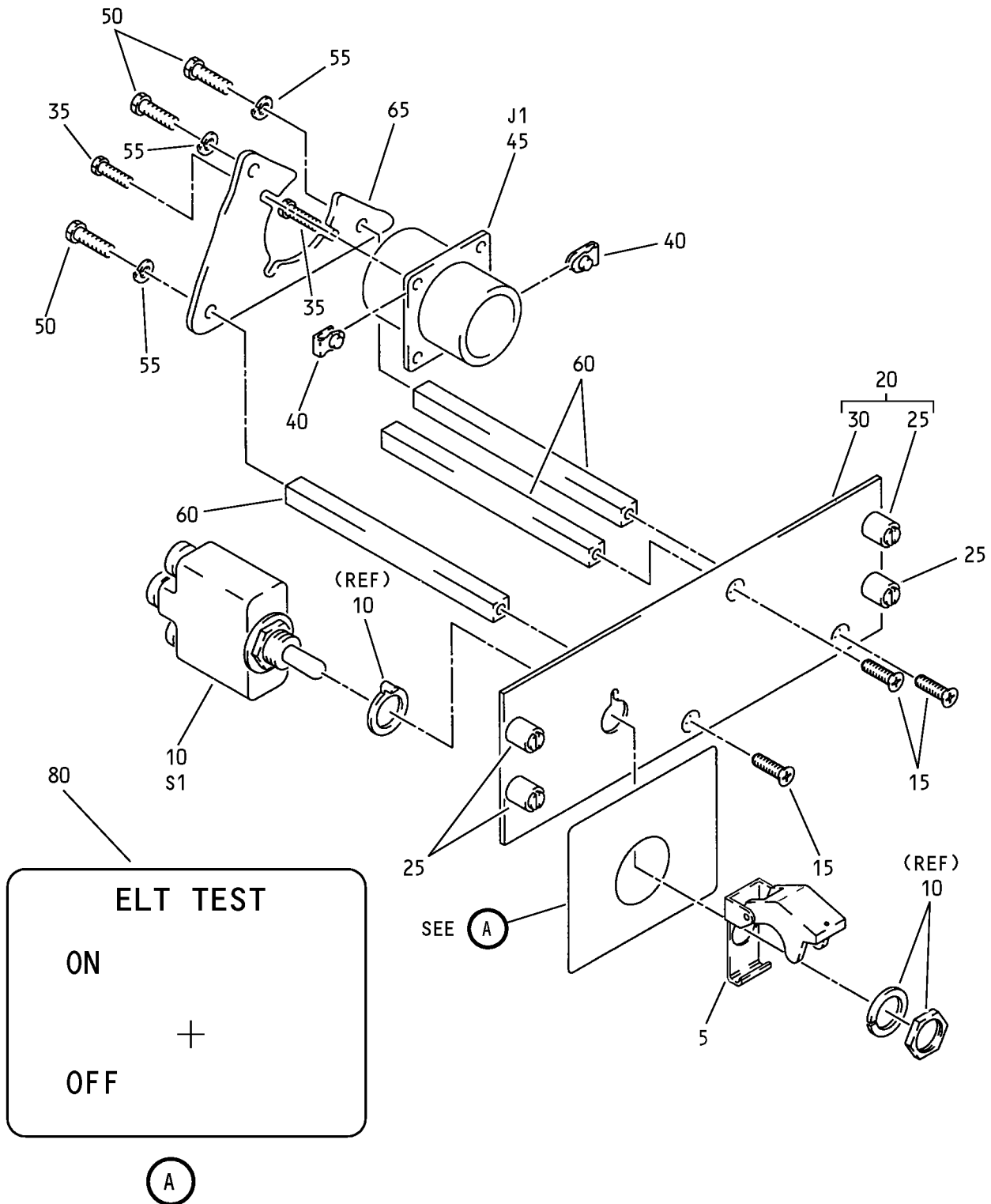
23-24-03


BOEING
 COMPONENT
 MAINTENANCE MANUAL

PART NUMBER	AIRLINE PART NO.	FIG.	ITEM	TTL REQ
BACC45FN12-12P9		1	45	1
BACN10NW1		1	40	2
BACP10U0187N		1	30	1
BACS12CB04-5		1	35	2
BACS12CB06-5		1	50	3
BACS21DD1B		1	25	4
BAC27TFDE0181		1	80	1
DBMB1400-6A1		1	25	4
K19798-04		1	40	2
MS24523-23		1	10	1
MS35338-41		1	55	3
NAS514P632-5		1	15	3
RMA4812-160-40		1	40	2
233T4238-2		1	20	1
233T4247-1		1	1A	RF
233T4247-3		1	70	1
233T6200-42		1	65	1
293162		1	40	2
400-122		1	5	1
60789-2		1	75	2
69B46200-6		1	60	3

23-24-03

 ILLUSTRATED PARTS LIST
 01.1 Page 1005
 Jul 01/01



ELT Test Panel Assembly, M1184
 Figure 1

23-24-03

ILLUSTRATED PARTS LIST
 01.1 Page 1006
 Nov 01/01


BOEING
 COMPONENT
 MAINTENANCE MANUAL

FIG. & ITEM	PART NO.	AIRLINE PART NUMBER	NOMENCLATURE 1234567	EFF CODE	QTY PER ASSY
01- -1A	233T4247-1		PANEL ASSY-ELT TEST, (M1184)		RF
5	400-122		.GUARD-SWITCH (V28277)		1
10	MS24523-23		.SWITCH-TG (S1)		1
15	NAS514P632-5		.SCREW		3
20	233T4238-2		.BASEPLATE ASSY		1
25	DBMB1400-6A1		..STUD ASSY- (V08524) (SPEC BACS21DD1B)		4
30	BACP10U0187N		..BASEPLATE		1
35	BACS12CB04-5		.SCREW		2
40	K19798-04		.NUT- (V15653) (SPEC BACN10NW1) (OPT RMA4812-160-40 (V72962)) (OPT 293162 (V60119))		2
45	BACC45FN12-12P9		.CONNECTOR- (J1)		1
50	BACS12CB06-5		.SCREW		3
55	MS35338-41		.WASHER		3
60	69B46200-6		.STANDOFF		3
65	233T6200-42		.BRACKET-SPRT		1
-70	233T4247-3		.WIRE BUNDLE ASSY		1
-75	60789-2		..PIN-CONTACT (V00779)		2
80	BAC27TFDE0181		.DECAL-VINYL BOEING LETTER HISTORY		1

- Item Not Illustrated

23-24-03

ILLUSTRATED PARTS LIST
 01.1 Page 1007
 Jul 01/01